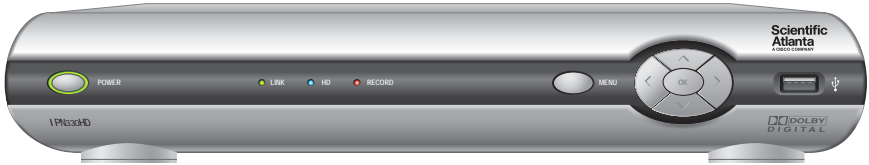


---

# IPN330HD™ Installation Manual



# Notice for Installers

The servicing instructions in this notice are for use by qualified service personnel only. To reduce the risk of electric shock, do not perform any servicing other than that contained in the operating instructions, unless you are qualified to do so.

## Note to System Installer

For this apparatus, the coaxial cable shield/screen shall be grounded as close as practical to the point of entry of the cable into the building. For products sold in the US and Canada, this reminder is provided to call the system installer's attention to Article 800-93 and Article 800-100 of the NEC (or Canadian Electrical Code Part 1), which provides guidelines for proper grounding of the coaxial cable shield.



This symbol is intended to alert you that uninsulated voltage within this product may have sufficient magnitude to cause electric shock. Therefore, it is dangerous to make any kind of contact with any inside part of this product.

Ce symbole a pour but d'alerter toute personne qu'un contact avec une pièce interne de ce produit, sous tension et non isolée, pourrait être suffisant pour provoquer un choc électrique. Il est donc dangereux d'être en contact avec toute pièce interne de ce produit.



**CAUTION:** To reduce the risk of electric shock, do not remove cover (or back). No user-serviceable parts inside. Refer servicing to qualified service personnel.

**WARNING**  
**TO PREVENT FIRE OR ELECTRIC SHOCK, DO NOT EXPOSE THIS UNIT TO RAIN OR MOISTURE.**



This symbol is intended to alert you of the presence of important operating and maintenance (servicing) instructions in the literature accompanying this product.

Ce symbole a pour but de vous avertir qu'une documentation importante sur le fonctionnement et l'entretien accompagne ce produit.

20070131 SysInstaller 800 US/Canada/Int'l

# U.S. Patents

A patent notice is affixed to this product. In addition, the product may also be covered by one or more of the following patents:

4,498,169; 4,692,919; 4,748,667; 4,829,569; 4,866,770; 4,885,775; 4,888,799; 4,890,319; 4,922,456; 4,922,532; 4,924,498; 4,965,534; 4,991,011; 5,003,384; 5,012,510; 5,029,207; 5,045,816; 5,053,883; 5,054,071; 5,058,160; 5,142,575; 5,142,690; 5,146,526; 5,155,590; 5,214,390; 5,225,902; 5,225,925; 5,235,619; 5,237,610; 5,239,540; 5,241,610; 5,247,364; 5,255,086; 5,257,403; 5,267,071; 5,270,809; 5,271,041; 5,272,752; 5,282,028; 5,285,497; 5,287,351; 5,301,028; 5,309,514; 5,317,391; 5,319,709; 5,341,425; 5,347,388; 5,347,389; 5,357,276; 5,359,601; 5,361,156; 5,367,571; 5,379,141; 5,379,145; 5,381,481; 5,390,337; 5,400,401; 5,406,558; 5,418,782; 5,420,866; 5,420,923; 5,425,101; 5,428,404; 5,430,568; 5,434,610; 5,436,749; 5,438,370; 5,440,632; 5,442,472; 5,455,570; 5,457,701; 5,471,492; 5,477,199; 5,477,262; 5,477,282; 5,477,370; 5,481,389; 5,481,542; 5,485,221; 5,493,339; 5,497,187; 5,500,758; 5,502,499; 5,506,904; 5,519,780; 5,539,822; 5,550,825; 5,579,055; 5,579,057; 5,583,562; 5,592,551; 5,596,606; 5,600,378; 5,602,933; 5,640,388; 5,657,414; 5,675,575; 5,684,876; 5,715,515; 5,724,525; 5,734,822; 5,740,300; 5,742,677; 5,754,940; 5,757,416; 5,771,064; 5,774,859; 5,825,829; 5,826,167; 5,850,305; 5,854,703; 5,870,474; 5,892,607; 5,920,626; 5,923,755; 5,930,024; 5,930,515; 5,937,067; 5,963,352; 5,966,163; 5,982,424; 5,991,139; 5,999,207; 6,005,631; 6,005,938; 6,016,163; 6,028,941; 6,029,046; 6,052,384; 6,055,244; 6,072,532; 6,105,134; 6,148,039; 6,157,719; 6,188,729; 6,195,389; 6,212,278; 6,215,530; 6,219,358; 6,240,103; 6,243,145; 6,246,767; 6,252,964; 6,272,226; 6,292,081; 6,292,568; 6,320,131; 6,374,275; 6,405,239; 6,411,602; 6,417,949; 6,424,714; 6,424,717; 6,433,906; 6,438,139; 6,463,586; 6,467,091; 6,476,878; 6,493,876; 6,510,519; 6,516,002; 6,516,412; 6,526,508; 6,538,595; 6,546,013; 6,560,340; 6,567,118; 6,570,888; 6,622,308; 6,629,227; 6,664,984; 6,667,994; 6,671,879; 6,674,967; 6,678,891; 6,714,598; 6,721,352; 6,721,956; 6,725,459; 6,738,982; 6,744,892; 6,744,967; 6,751,271; 6,760,918; 6,795,972; 6,802,077; 6,804,708; 6,811,447; 6,817,028; 6,822,972; 6,823,385; 6,832,386; 6,845,106; 6,868,473; 6,874,075; 6,889,191; 6,909,471; 6,917,622; 6,917,628; 6,922,412; 6,927,806; 6,928,656; 6,931,058; 6,937,729; 6,969,279; 6,971,008; 6,971,121; 6,978,310; 6,986,156; 6,988,900; 6,996,838; 7,010,801; 7,053,960; 7,065,213; 7,069,578; 7,069,572; D348065; D354959; D359737; D363932; D390217; D434753; D507240; D507535; D513407; D516518; RE36368; RE36988

20070417 Patents

# Contents

Important Safety Instructions.....	4
Change the Way You Watch TV .....	6
Safety First .....	6
Identifying Your IPN Device .....	6
In This Manual .....	6
What's on the Front Panel? .....	7
What's on the Back Panel? .....	8
Connecting Your IPN Device .....	9
Connecting to the Home Network.....	10
Connections for an HDTV.....	11
Connections for an SDTV.....	12
Connections for a VCR.....	12
Connecting to an HDTV with an HDMI Connector .....	13
Connecting to an HDTV with a DVI Connector.....	14
Connecting to an HDTV with Component (PrPbY) Connectors .....	15
Connecting to a Home Theater System with Component (PrPbY) Connectors .....	16
Connecting to a Stereo VCR (optional) .....	17
Connecting to an SDTV with Component (PrPbY) Connectors.....	18
Connecting to an SDTV with an RCA-Type Connector .....	19
Connecting to an SDTV with a Coaxial Cable .....	20
Viewing Television Programming.....	21
Troubleshooting.....	21
Avoiding Screen Burn-In.....	22
Frequently Asked Questions About HDTV.....	22
Picture Formats .....	23
Index.....	25
Compliance Information.....	27

# IMPORTANT SAFETY INSTRUCTIONS

Read These Instructions

Keep These Instructions

Heed All Warnings

Follow All Instructions

## Power Source Warning

A label on this product indicates the correct power source for this product. Operate this product only from an electrical outlet with the voltage and frequency indicated on the product label. If you are uncertain of the type of power supply to your home or business, consult your service provider or your local power company.

## Ground the Product



### WARNING:

**Avoid electric shock and fire hazard! Do not defeat the safety purpose of the polarized or grounding-type plug. A polarized plug has two blades with one wider than the other. A grounding-type plug has two blades and a third grounding prong. The wide blade or the third prong is provided for your safety. If the provided plug does not fit into your outlet, consult an electrician for replacement of the obsolete outlet.**

If this product connects to coaxial cable wiring, be sure the cable system is grounded (earthed). Grounding provides some protection against voltage surges and built-up static charges.

## Protect the Product from Lightning

For added protection, unplug this apparatus during lightning storms or when unused for long periods of time. In addition to disconnecting the AC power from the wall outlet, disconnect the signal inputs.

## Verify the Power Source from the On/Off Power Light

When the on/off power light is not illuminated, the apparatus may still be connected to the power source. The light goes out when the apparatus is turned off, regardless of whether it is still plugged into an AC power source.

## Eliminate AC Mains Overloads



### WARNING:

**Avoid electric shock and fire hazard! Do not overload AC mains, outlets, extension cords, or integral convenience receptacles. For products that require battery power or other power sources to operate them, refer to the operating instructions for those products.**

## Prevent Power Cord Damage

Protect the power cord from being walked on or pinched, particularly at plugs, convenience receptacles, and the point where the cord exits from the apparatus.

## Provide Ventilation and Select a Location

- Do not block any ventilation openings. Install in accordance with the manufacturer's instructions.
- Do not place this apparatus on a bed, sofa, rug, or similar surface.
- Do not place this apparatus on an unstable surface.
- Do not install near any heat sources such as radiators, heat registers, stoves, or other apparatus (including amplifiers) that produce heat.
- Do not install this apparatus in an enclosure, such as a bookcase or rack, unless the installation provides proper ventilation.
- Do not place entertainment devices (such as VCRs or DVDs), lamps, books, vases with liquids, or other objects on top of this product.

# IMPORTANT SAFETY INSTRUCTIONS, continued

## Protect from Exposure to Moisture and Foreign Objects

Do not use this apparatus near water.



### WARNING:

**Avoid electric shock and fire hazard! Do not expose this product to liquids, rain, or moisture.**



### WARNING:

**Avoid electric shock and fire hazard! Unplug this product before cleaning. Clean only with a dry cloth. Do not use a liquid cleaner or an aerosol cleaner. Do not use a magnetic/static cleaning device (dust remover) to clean this product.**



### WARNING:

**Avoid electric shock and fire hazard! Never push objects through the openings in this product. Foreign objects can cause electrical shorts that can result in electric shock or fire.**

## Accessories Warning



### WARNING:

**Avoid electric shock and fire hazard! Only use attachments/accessories specified by your service provider or the manufacturer.**

## Service Warnings



### WARNING:

**Avoid electric shock! Do not open the cover of this product. Opening or removing the cover may expose you to dangerous voltages. If you open the cover, your warranty will be void. This product contains no user-serviceable parts. Refer all servicing to qualified service personnel.**

Servicing is required when the apparatus has been damaged in any way, such as a power-supply cord or plug is damaged, liquid has been spilled or objects have fallen into the apparatus, the apparatus has been exposed to rain or moisture, does not operate normally, or has been dropped.

## Check Product Safety

Upon completion of any service or repairs to this product, the service technician must perform safety checks to determine that this product is in proper operating condition.

## Protect the Product when Moving It

Always disconnect the power source when moving the apparatus or connecting or disconnecting cables.



### WARNING:



**Avoid personal injury and damage to this product! Use only with the cart, stand, tripod, bracket, or table specified by the manufacturer or sold with the apparatus. When a cart is used, use caution when moving the cart / apparatus combination to avoid injury from tip-over.**

20070320 Set-Top IP w/out DVB w/out Battery

# Change the Way You Watch TV

Welcome to Internet Protocol Television (IPTV). The IPN330HD™ device (IPN device), brings a rich, new set of services directly to you through your TV and your in-home IP network. The IPN device uses your existing in-home coaxial cable wiring and connects to most all entertainment devices.

Available services may include some or all of the following features:

- High-Definition (HD), which provides crystal clear pictures and sound when compared to standard-definition – you won't want to watch television any other way once you've experienced HD.
- Video-On-Demand (VOD), which gives you access to an enormous library of movies and shows that you can watch – when you want to watch them.

**Note:** Your IPN device may not support all of the above services. Contact your service provider to find out if HD or VOD services are available and to activate the services.

Don't miss another minute of the TV shows you love!

Follow the instructions in this guide to install the IPN device, to become familiar with the buttons on the front panel, and to access your programming services. Then, enjoy the features of the IPN device and change the way you watch TV!

## Safety First

Before using the IPN device, read the Important Safety Instructions section of this guide.

## Identifying Your IPN Device

At times, your service provider may ask for the serial number. To find the serial number for your IPN device, look on the bottom for a label. The serial number is a 9-digit numeric code to the right of the letters "SN" on the label.

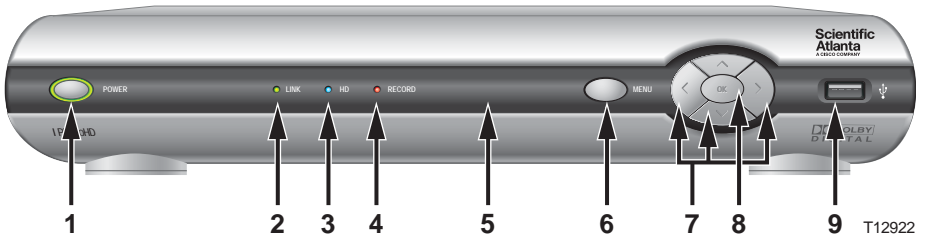
Use the space provided here to record the serial number:

---

## In This Manual

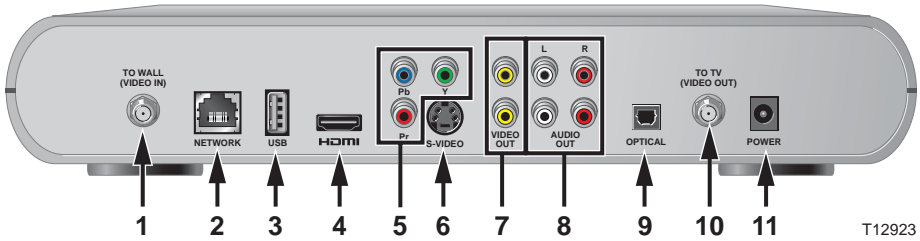
This manual provides the information you need to connect your IPN device to your in-home network and to your entertainment devices. If you are new to the world of high-definition TV (HDTV), we provide detailed information on HDTV, picture formats, and troubleshooting at the end of this manual.

# What's on the Front Panel?



- 1 Power** Turns the IPN device on or places it in standby. The LED is green
- 2 Link** Indicates network link status. The LED is green
- 3 HD** Indicates that a high-definition program is in progress. The LED is blue
- 4 Record** Indicates that a recording is in process. The LED is red
- 5 IR Sensor** Receives the infrared signal from the remote control. The sensor is behind the front panel
- 6 Menu** Accesses the on-screen menu
- 7 Arrow Keys** Accesses on-screen services (such as the on-screen guide, video-on-demand, or pay-per-view) and navigates menus
- 8 OK** Selects the current item
- 9 USB Port** Connects to external USB equipment approved by your service provider

# What's on the Back Panel?



T12923

- 1 To Wall (Video In)** Connect the IPN device to in-house coax wiring, if applicable. This signal is used to receive an Ethernet-over-coaxial signal.
- 2 Network** Connect to the Ethernet (CAT-5) network in your home, if applicable
- 3 USB Port** Connect external USB equipment approved by your service provider to this port
- 4 HDMI** Connect an HDTV HDMI™ (High-Definition Multimedia Interface) cable from the HDTV to the HDMI port. HDMI supports both digital audio and video. **See page 11** for more information
- 5 PrPbY** Connect the IPN device to the component video input (PrPbY) on the HDTV. **See page 11 or page 12** for complete details
- 6 S-Video** Connect an S-Video cable to send an S-Video signal to your TV or VCR. This signal is standard definition but higher quality than other SDTV connections. **See page 12** for more information
- 7 Video Out** Connect to either a VCR or connect to another set of inputs (composite) on your HDTV or SDTV
- 8 Audio Out (L/R)** Connect RCA-type cables to Audio Out to send analog audio signals (left and right) to a TV with stereo inputs or to a stereo amplifier
- 9 Optical** Connect an optical cable to send a digital audio signal to a surround-sound receiver or other digital audio device
- 10 To TV (Video Out)** Connect to TV. This is a channel 3/4 output. You must set the channel on your TV to the correct channel (either channel 3 or 4)
- 11 Power** Connect the DC output of the AC power adapter (provided) to deliver power to the IPN device



# Connecting Your IPN Device

To connect your IPN device to your in-home network and home entertainment devices, complete these steps.



Determine if your TV is HD or SD and whether it is wide screen (16:9) or standard screen (4:3). Refer to the user's guide that came with your TV for more information. **See page 23** for more information.



or



Make one of the following connections to your home network:

- If your home has coaxial cable, use the TO WALL connector on the IPN device. **See page 10.**
- If your home has twisted pair cable, use the TO WALL connector on the IPN device and a balun (an adaptor that converts twisted pair to coax). **See page 10.**
- If your home has CAT-5 cable, use the NETWORK connector on the IPN device. **See page 10.**

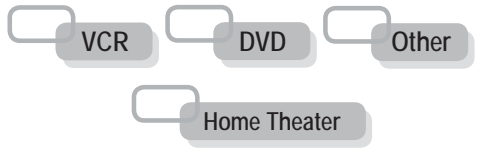


Make the connections for your TV and/or VCR as follows:

- If you are using an HDTV, **see page 11** and the connection diagrams in this guide.
- If you are using an SDTV, **see page 12** and the connection diagrams in this guide.
- If you want to archive some programs to VCR tape, **see page 12** and the connection diagrams in this guide.



Identify the additional devices you will connect to the IPN device and TV. **See pages 13 through 20** and the related user's guides for more information.



Plug the IPN device and the TV into an AC power source that is not controlled by a switch. Do not turn on the IPN device or TV yet.

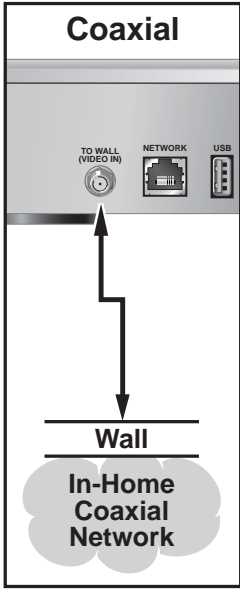


Do not turn on the IPN device or TV yet.

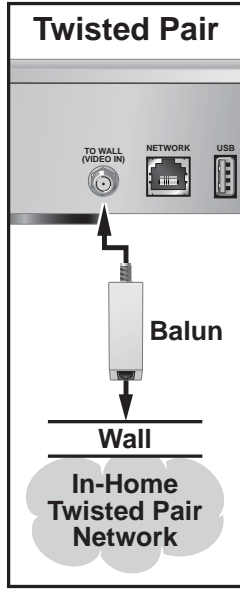
For further instructions on completing your setup, refer to the IPN device user's guide from your service provider.

# Connecting to the Home Network

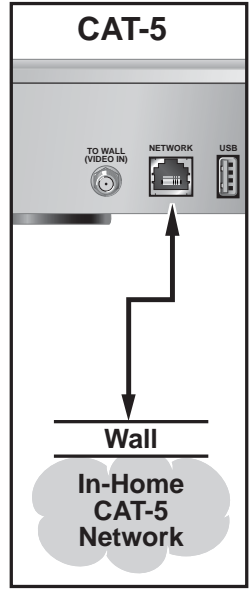
The following diagrams illustrate examples of the connections you can use to connect your IPN device to your in-home network. Contact your service provider for the recommended connection method for your home.



OR



OR





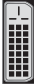










T12924

# Connections for an HDTV

To use the IPN device with an HDTV, you must make *one* of the following connections to view the HD content. Refer to your TV user's guide and the cabling diagrams in this guide for more detailed connection information.

**Note:** The labeling on your IPN device may vary slightly.

	Required Connections to an HDTV (use one)	IPN Device Connections	HDTV Connections
HDMI	<p>Some HDTVs have an HDMI connector. The HDMI connector provides both a digital video and audio connection. See the connection diagram on <b>page 13</b> for an example.</p>	 <p>HDMI</p>	 <p>HDMI</p>
DVI	<p>The HDMI connector can provide the connection to an HDTV with a DVI input. If your HDTV has a Digital Visual Interface (DVI) connector, you will need an HDMI-to-DVI adaptor, and you will need to connect a separate audio connection.</p> <p><b>Note:</b> The DVI port on the TV must support high-bandwidth digital content protection (HDCP).</p> <p>See the connection diagram on <b>page 14</b> for an example.</p>	 <p>HDMI</p> <p>AUDIO OUT</p>  <p>L R</p> <p><b>Adaptor Needed</b></p>	 <p>DVI</p>  <p>L R</p>
PrPbY	<p>The PrPbY connectors can provide high-definition component video signals to an HDTV.</p> <p><b>Note:</b> Set the HD mode and select the output video format (480i, 480p, 720p, 1080i) on the IPN device that matches the full capabilities of your HDTV.</p> <p>See the connection diagram on <b>page 15</b> for an example.</p>	<p>Pr</p>  <p>Y Pb</p> <p>AUDIO OUT</p>  <p>L R</p>	<p>Y</p>  <p>Pb Pr</p>
RGB	<p>Some HDTVs have only RGB or RGB-HV connectors. If you have one of these HDTVs, you need an RGB adaptor. Check with your service provider for information about acquiring an RGB adaptor, or you can purchase the adaptor at your local electronics supplier.</p>	<p>Pr</p>  <p>Y Pb</p> <p>AUDIO OUT</p>  <p>L R</p> <p><b>Adaptor Needed</b></p>	 <p>R G B H V</p>  <p>L R</p>

# Connections for an SDTV

When using the IPN device with an SDTV, you must make *one* of the following connections to view content. Some SDTVs may not have all these connections. Refer to your TV user's guides and the cabling diagrams in this guide for more detailed information.

**Note:** The labeling on your IPN device may vary slightly.

Required Connections to an SDTV (use one)		IPN Device Connections	SDTV Connections
PrPbY	<p>The PrPbY (red, blue, and green) connectors can provide standard-definition component video signals to an SDTV.</p> <p><b>Note:</b> To connect PrPbY to an SDTV, you must set the IPN device to an output video format that matches the capabilities of your HDTV (typically only 480i). See the connection diagram on <b>page 18</b> for an example.</p>		
S-Video	<p>The S-Video Out connection provides an optimal video connection to SDTVs. A separate audio connection is also needed.</p>		
Video Out	<p>The Video Out connector provides a video connection to an SDTV. A separate audio connection is also needed.</p>		
To TV (Video Out)	<p>The To TV (Video Out) connector provides a video and audio connection to an SDTV. You must set the channel on your TV to either channel 3 or channel 4.</p>		

# Connections for a VCR

Optional Connection to a VCR (use one)		IPN Device Connections	VCR Connections
VCR	<p>For VCRs with Video and Left and Right audio connectors, you can use the Video Out and the Audio Out connectors (Left and Right) on the IPN device.</p> <p>See the connection diagram on <b>page 17</b> for an example.</p>		
	<p>For VCRs with S-Video and Left and Right audio connectors, you can use the S-Video Out and the Audio Out Left and Right connectors on the IPN device.</p>		

# Connecting to an HDTV with an HDMI Connector

## Cable Used in this Configuration

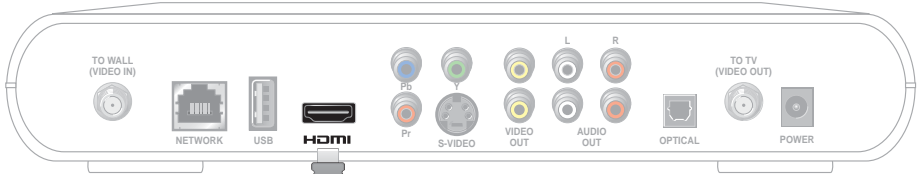
- 1 HDMI-to-HDMI Cable



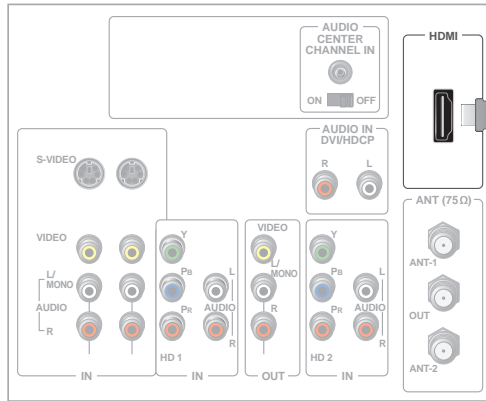
### WARNING:

Electric shock hazard! Unplug all electronic devices before connecting or disconnecting any device cables to the IPN device.

## IPN330HD



## Back of HDTV



T12925

# Connecting to an HDTV with a DVI Connector

## Cable Used in this Configuration

- 1 HDMI-to-DVI Cable or 1 HDMI-to-HDMI Cable and 1 HDMI-to-DVI Adaptor
- 1 Set Audio Left/Right Cables

### Notes:

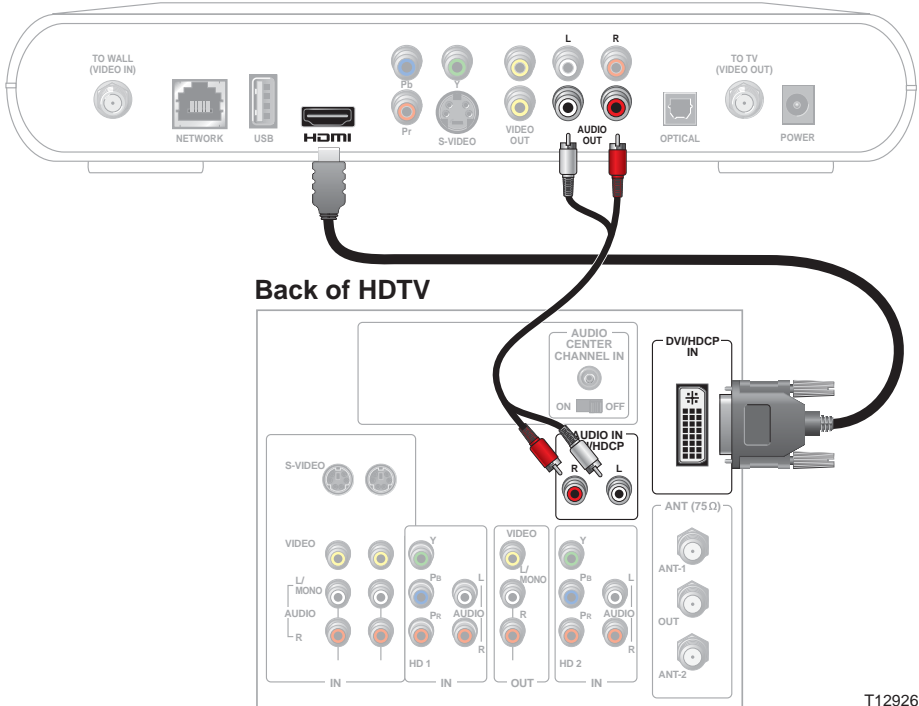
- The DVI port on the TV must support high-bandwidth digital content protection (HDCP).
- When you connect the HDMI connector to the DVI connector on your HDTV, you need an HDMI-to-DVI adaptor, and you need a separate audio connection.



### WARNING:

**Electric shock hazard! Unplug all electronic devices before connecting or disconnecting any device cables to the IPN device.**

## IPN330HD



T12926

# Connecting to an HDTV with Component (PrPbY) Connectors

## Cables Used in this Configuration

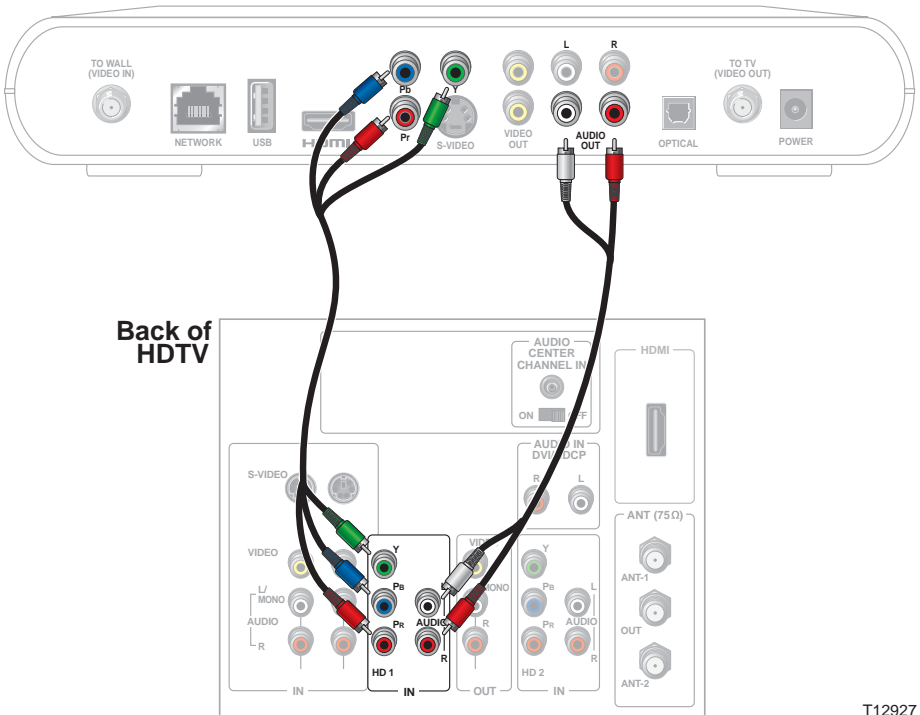
- 1 Set Component Video Cables (PrPbY)
- 1 Set Audio Left/Right Cables



### WARNING:

**Electric shock hazard! Unplug all electronic devices before connecting or disconnecting any device cables to the IPN device.**

## IPN330HD



T12927

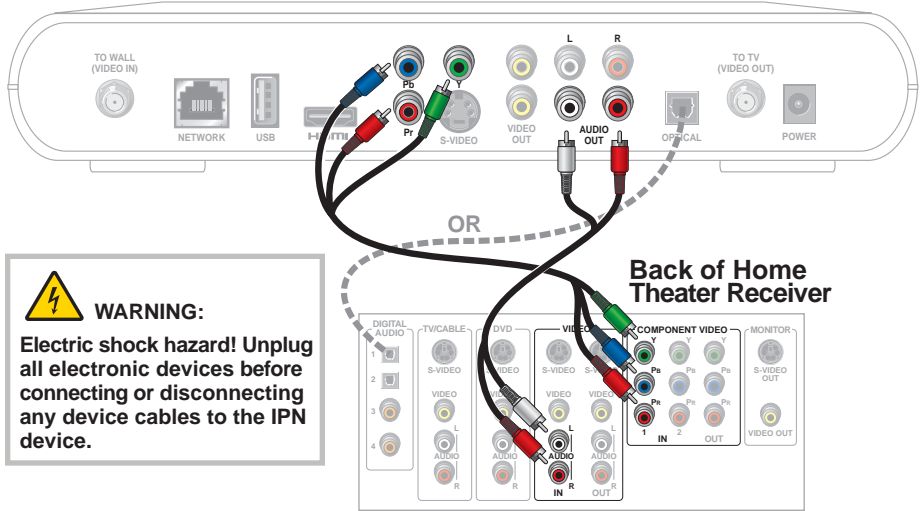
# Connecting to a Home Theater System with Component (PrPbY) Connectors

## Cables Used in this Configuration

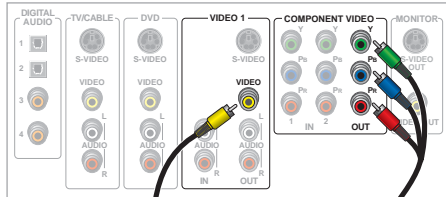
- 3 Sets Component Video Cables (PrPbY)
- 3 Sets Audio Left/Right Cables (you can also use optical cables instead of the Audio Left/Right Cables as shown in the diagram, indicated by dotted lines)
- 1 RCA-type Video Cable

**Note:** This connection assumes that audio is provided by the home theater speakers.

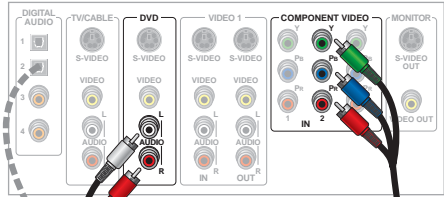
## IPN330HD



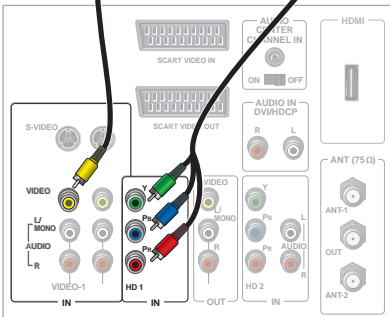
## Back of Home Theater Receiver



## Back of Home Theater Receiver

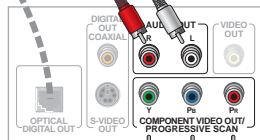


## Back of HDTV



OR

## Back of DVD Player





# Connecting to a Stereo VCR (optional)

This connection, in addition to some other connections to the TV, allows you to record and play back programming on your VCR.

## Cables Used in this Configuration

- 2 RCA-type Video Cables
- 2 Sets Audio Left/Right Cables

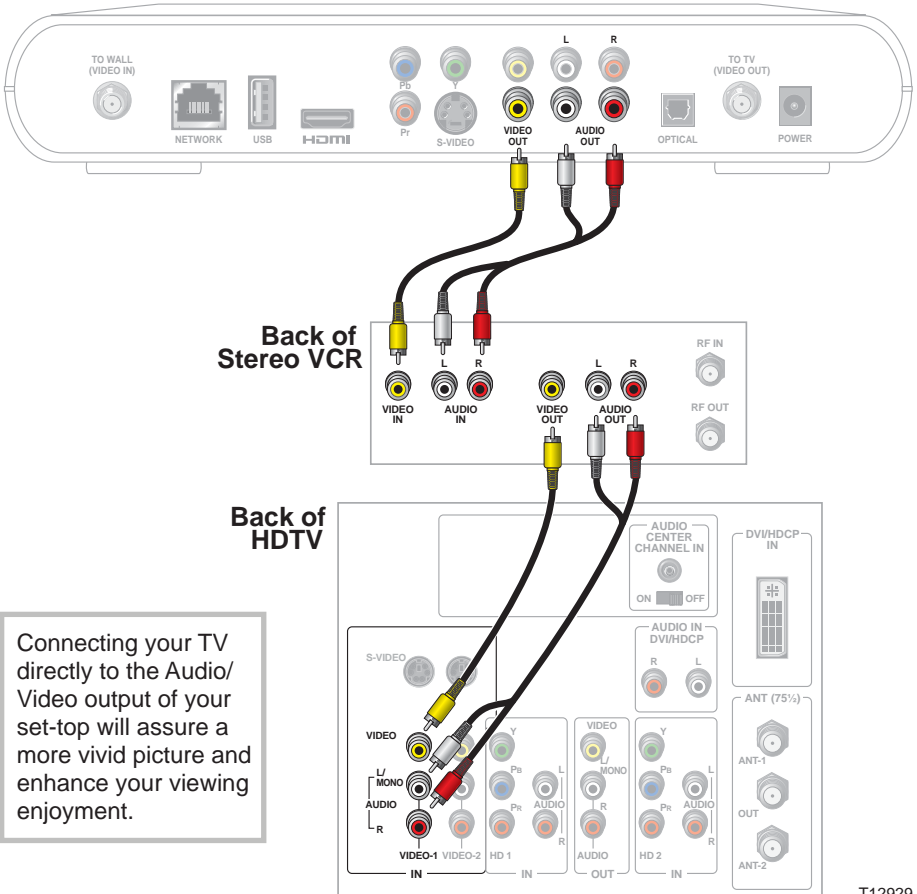
**Note:** This connection does not provide an HD signal to the TV. You must use one of the video connections shown on pages 13-15 or page 18 in addition to this connection to obtain an HD signal to the TV.



### WARNING:

**Electric shock hazard! Unplug all electronic devices before connecting or disconnecting any device cables to the IPN device.**

## IPN330HD



Connecting your TV directly to the Audio/Video output of your set-top will assure a more vivid picture and enhance your viewing enjoyment.

# Connecting to an SDTV with Component (PrPbY) Connectors

## Cables Used in this Configuration

- 1 Component Video Cable (PrPbY)
- 1 Set Audio Left/Right Cables

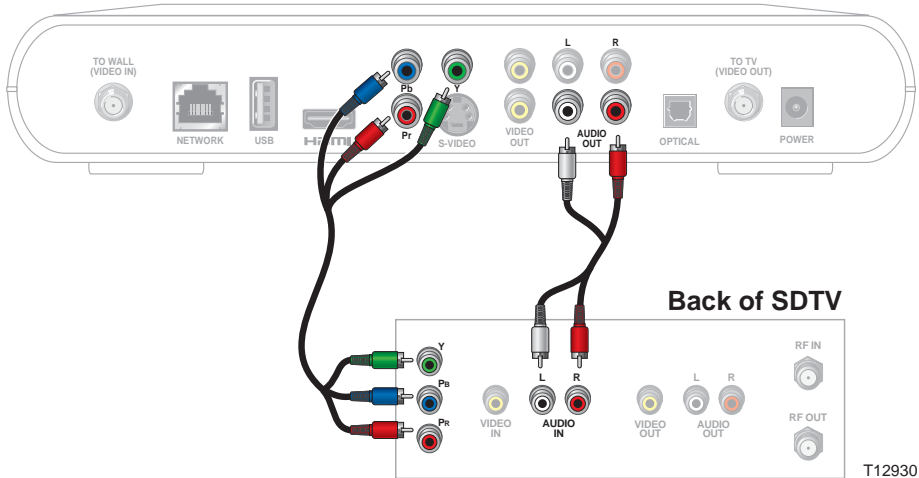
**Note:** The IPN device must be set to the proper output mode, typically 480i or 480p.



### WARNING:

**Electric shock hazard! Unplug all electronic devices before connecting or disconnecting any device cables to the IPN device.**

## IPN330HD



T12930

# Connecting to an SDTV with an RCA-Type Connector

## Cables Used in this Configuration

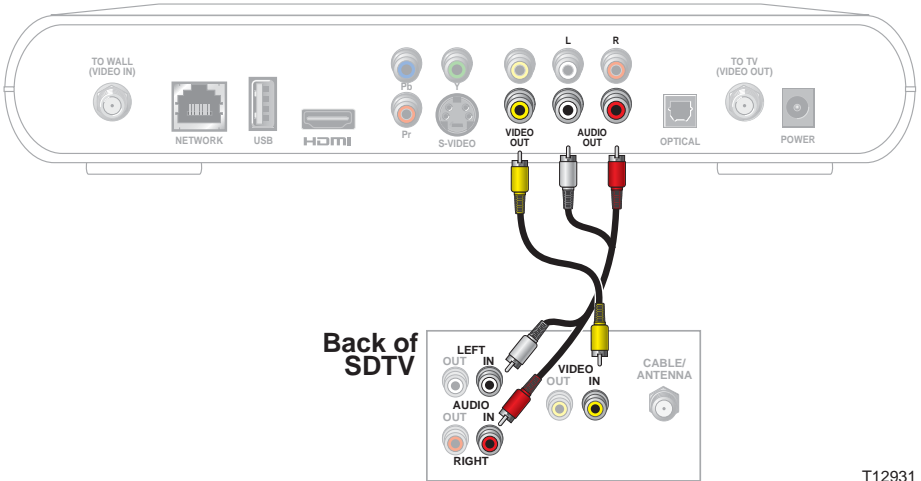
- 1 RCA-type Video Cable
- 1 Set Audio Left/Right Cables



### WARNING:

Electric shock hazard! Unplug all electronic devices before connecting or disconnecting any device cables to the IPN device.

## IPN330HD



T12931

# Connecting to an SDTV with a Coaxial Cable

## Cables Used in this Configuration

- 1 RCA-type Video Cable
- 1 Set Audio Left/Right Cables

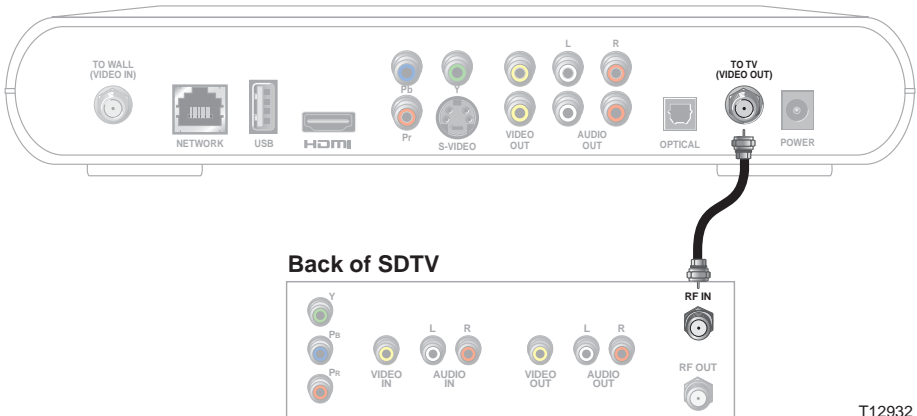
**Note:** You must set the channel on your TV to the correct channel (either channel 3 or channel 4). Contact your service provider for the channel information.



### WARNING:

**Electric shock hazard! Unplug all electronic devices before connecting or disconnecting any device cables to the IPN device.**

## IPN330HD



T12932

# Viewing Television Programming

## Access Services and Programs

Access programming services and programs by pressing the following keys on the remote control:

- **Guide** – Access the on-screen program guide. The on-screen guide displays schedules of TV programs and other services available from your service provider, such as video-on-demand and pay-per-view programs.
- **Arrows** – Move through the Program Guide or Menu.
- **Info** – Display a specific program description (either from the on-screen guide or while viewing a program).
- **OK** – View or select a highlighted choice in the Program Guide or Menu.

## Troubleshooting

If the IPN device does not perform as expected, the following tips may help. If you need further assistance, contact your service provider.

### No Picture

- Verify that the power to your TV is turned on.
- If the IPN device is plugged into a wall switch, verify that the switch is in the ON position.
- Verify that all cables are properly connected.
- If your system includes a VCR or stereo, verify that you have properly connected them to the IPN device.
- Verify the proper input selection to the home theater receiver or TV.
- Verify that the IPN device is set to the proper screen type and resolution.
- If you are using coaxial cable to connect to your TV, verify that the TV is tuned to the correct channel.

### No Color or Incorrect Color

- Verify that the current TV program is broadcast in color.
- Adjust the TV color controls.
- If you are using a component video connection (PrPbY), check that all connectors are completely and properly plugged into the IPN device and TV.
- If you are using a component video connection (PrPbY) and your HDTV only has RGB or RGB-HV connectors, you must use an adapter. Contact your service provider for more information.

## No Sound

- If your setup includes a VCR or stereo, verify that you have properly connected them to the IPN device.
- Verify that the volume is turned up.
- Verify that the mute function is not on.
- Verify the proper input selection to the home theater receiver or TV.
- If you are using coaxial cable to connect to your TV, verify that the TV is tuned to the correct channel.

## Avoiding Screen Burn-In

Images such as letterbox bars or side bars, bright closed-captioning backgrounds, station logos, or any other stationary images may cause the display in your HDTV to age unevenly; this is known as screen burn-in. Refer to the user's guide that came with your HDTV for more information.



### **CAUTION:**

**Avoid screen burn-in! Do not display the same fixed images on your HDTV screen for extended periods of time.**

## Frequently Asked Questions About HDTV

### What Is Digital Television?

Digital television (DTV) is a huge leap forward in television technology compared to analog television that has been widely available since the 1940s. DTV is delivered and displayed using digital encoding, similar to the way a PC operates. By using digital technology, there is no variation in picture and sound quality from the origination point until it is displayed on your television. You always receive a high-quality picture without the wavy lines or static you might sometimes get from a weak analog signal. Another feature of digital television is digital surround sound using Dolby® Digital, which is the same technology used to produce the sound you hear in movie theaters.

### What Is Standard-Definition Television?

Standard-definition television (SDTV) is basic digital television programming delivered by your service provider. Typically, the SDTV screen is the same, nearly square shape as an analog television screen. Digital images on an SDTV set are crisp and clear—noticeably better than on a standard analog television set using an antenna to receive over-the-air signals.

### What Is High-Definition Television?

High-definition television (HDTV) is a completely new way to send and receive television broadcast signals. HDTV images are made up of pixels that are much smaller and closer together than those used in standard analog television, and there are millions of them. Thus, HDTV can display five to six times the detail of analog television to deliver picture quality that is much more realistic, dimensional, and precise. SDTV programs can be viewed on an HDTV.

## Are Local TV Stations or Other Programmers Broadcasting in HDTV?

Many local TV stations and programmers are transmitting digital signals. However, transmitting a digital signal does not mean transmitting an HDTV signal. Some stations are using the new bandwidth to broadcast several standard-definition channels. Most stations and programmers, once they begin broadcasting in digital, are offering HD content from their parent network (for example, CBS, ABC, NBC, Fox, WB, UPN, and PBS). Contact your service provider for more information.

## Why Aren't All the Shows I Watch in High-Definition?

A high-definition program must originate in HD format and be broadcast in HD format. Having an HDTV system does not mean that everything you watch will be viewed in high-definition. Getting the signal from a digital source also does not mean it is high-definition.

## Why Are Some HDTVs 4:3 Aspect Ratio and Others 16:9?

The aspect ratios differ because television manufacturers build both standard-screen and wide-screen HDTVs to appeal to consumer viewing preferences. The two aspect ratios are as follows:

- On wide-screen (16:9) HDTVs, the programming is displayed on the full screen.
- On standard-screen (4:3) HDTVs, the programming is displayed in letterbox format in the middle of the screen. There are bars surrounding the picture.

## Picture Formats

### What Is the Difference Between a Standard-Screen and a Wide-Screen HDTV?

The type of screen your HDTV has (wide screen or standard screen) determines how the IPN device displays programs on the screen. The picture format for an HDTV is a combination of *aspect ratio* and *screen resolution* and is different for standard-screen and wide-screen HDTVs.

### What Is Aspect Ratio?

An aspect ratio is the ratio of the width to the height of the TV screen. The aspect ratios differ because the television industry manufactures both standard-screen and wide-screen HDTVs to appeal to consumer viewing preferences.

### What Is the Screen Resolution and Scan Rate?

The screen resolution indicates the amount of detail that the picture displays. Resolution is identified by the number of display lines on the screen. The techniques that an HDTV uses to “paint” the picture on the screen are referred to as progressive and interlaced.

With the **progressive method**, every pixel on the screen is refreshed simultaneously. The **interlace method** involves refreshing pixels in alternation — first the odd lines and then the even lines.

For advance setup, select the scan modes that your TV can support. Refer to your DVR and HDTV user’s guides to choose the proper scan rates (480i, 480p, 720p, 1080i) for your setup.

For example, a resolution of 1080i indicates that the screen shows 1080 lines in an interlaced display, and 480p indicates that the screen shows 480 lines in a progressive display.

**Note:** The screen resolution (1080i, 480p, and so forth) is sometimes referred to as the scan rate. The terms are interchangeable.

A **standard-screen HDTV** has a 4x3 aspect ratio. The screen is 4 units wide for every 3 units tall.



A screen resolution of 576p or 576i fills the screen.

A **wide-screen HDTV** is one-third wider than a standard-screen HDTV. The screen is 16 units wide for every 9 units tall.



A screen resolution of 720p or 1080i fills the screen.



# Index

## A

- AC Power input 8
- Arrow keys 7
- Aspect ratio 23, 24
- Audio Out 8, 11, 12

## B

- Back panel 8
- Burn-in of screen 22
- Buttons. See Front panel

## C

- Cables 9, 10, 13-20
- CAT-5 10
- Coaxial Cable Input 8, 9, 10, 20
- Coaxial network connection 10
- Compliance, FCC 27
- Component video connection. See PrPbY
- Connectors
  - See also Front panel; Back panel
  - required for HDTV 11
  - required for SDTV 12
  - VCR 12, 17

## Connecting the IPN device to other devices

- Component input (PrPbY) 11, 15, 16
- DVI connector 11, 14
- DVD 15
- HDMI connector 11, 13
- Home Theater System with Component input (PrPbY) 15
- SDTV 12, 18, 19, 20
- S-Video 12
- VCR 12, 17

## Connection

- Home Network 10
- User Device 9

Controls. See Front panel

## D

- Diagrams. See Connecting the IPN device to other devices
- Digital TV, What is it 22
- DVI connector 11, 14

## E

- Ethernet network 8, 9, 10

## F

- FAQs 22
- FCC compliance 27
- Formats, picture 23
- Frequently Asked Questions. See FAQs
- Front panel 7

## H

- HD
  - format 23-24
  - HDTV broadcasting 23
  - HDTV, What is it 22
  - indicator 7
- HDMI 8, 11, 13, 14
- High-definition. See HD
- Home theater system connection 16

## I

- Interlaced scan rate 23
- IR sensor 7

## K

Keys. See Front panel

## N

- Network 9, 10

## O

- Optical Audio Output 8, 16

# Index, continued

## P

- Picture formats 23-24
- Ports. See Connectors
- Power 7, 8
- Programs, view 21, 22, 23
- Progressive scan rate 23
- PrPbY
  - connector 8, 11, 12
  - HDTV connection 11, 15, 16
  - home theater connection 16
  - SDTV connection 12, 18-20

## R

- RGB connector 11

## S

- S-Video 8, 12
- S-Video In 12
- Safety 2, 4-5
- Scan rates 23-24
- Screen
  - burn-in 22
  - resolution 23-24
  - size 23-24

## SD

- Mode 9, 12, 22, 23
- TV, What is it 22
- Serial number, locating 6
- Sound, troubleshooting 22
- Standard-definition TV, What is it 22

## T

- To Wall (Video In) connector 8, 10
- To TV (Video Out) connector 8, 12, 20
- Troubleshooting 21-22

## TV

- digital, what is it 22
- formats 9, 23
- HDTV, what is it 22
- programming 23
- resolution 23-24
- screen size. See aspect ratio
- standard screen 23-24
- standard-definition, what is it 22
- wide screen 24

## U

- USB port 7, 8

## V

- VCR connection 12, 17
- Video In See To Wall
- Video Out See To TV
- View programs 21-24

## W

- Watch TV 21
- Widescreen TV 24

## Y

- YPbPr. See PrPbY

# Compliance Information

## United States FCC Compliance

This device has been tested and found to comply with the limits for a Class B digital device, pursuant to part 15 of the FCC Rules. These limits are designed to provide reasonable protection against such interference in a residential installation. This equipment generates, uses, and can radiate radio frequency energy. If not installed and used in accordance with the instructions, it may cause harmful interference to radio communications. However, there is no guarantee that interference will not occur in a particular installation. If this equipment does cause harmful interference to radio or television reception, which can be determined by turning the equipment OFF and ON, the user is encouraged to try to correct the interference by one or more of the following measures:

- Reorient or relocate the receiving antenna, if applicable.
- Increase the separation between the equipment and receiver.
- Connect the equipment into an outlet on a circuit different from that to which the receiver is connected.
- Consult the cable company or an experienced radio/television technician for help.

Any changes or modifications not expressly approved by Scientific-Atlanta, Inc., could void the user's authority to operate the equipment.

The information shown in the FCC Declaration of Conformity paragraph below is a requirement of the FCC and is intended to supply you with information regarding the FCC approval of this device. The phone numbers listed are for FCC-related questions only and not intended for questions regarding the connection or operation for this device. Please contact your cable service provider for any questions you may have regarding the operation or installation of this device.

## FCC Declaration of Conformity

This device complies with Part 15 of FCC Rules. Operation is subject to the following two conditions:  
1) the device may not cause harmful interference, and  
2) the device must accept any interference received, including interference that may cause undesired operation.

Model IPN330HD  
Scientific-Atlanta, Inc.;  
5030 Sugarloaf Parkway;  
Lawrenceville, Georgia 30044; USA  
Telephone **770-236-1077**

## Canada EMI Regulation

This Class B digital apparatus complies with Canadian ICES-003.

Cet appareil numérique de la class B est conforme à la norme NMB-003 du Canada.

## AVC Video License

THIS PRODUCT IS LICENSED UNDER THE AVC PATENT PORTFOLIO LICENSE FOR THE PERSONAL AND NON-COMMERCIAL USE OF A CONSUMER TO (i) ENCODE VIDEO IN COMPLIANCE WITH THE AVC STANDARD ("AVC VIDEO") AND/OR (ii) DECODE AVC VIDEO THAT WAS ENCODED BY A CONSUMER ENGAGED IN A PERSONAL AND NON-COMMERCIAL ACTIVITY AND/OR WAS OBTAINED FROM A VIDEO PROVIDER LICENSED TO PROVIDE AVC VIDEO. NO LICENSE IS GRANTED OR SHALL BE IMPLIED FOR ANY OTHER USE. ADDITIONAL INFORMATION MAY BE OBTAINED FROM MPEG LA, L.L.C. SEE <http://www.mpegla.com>.

## Macrovision Copyright Notice

This product incorporates copyright protection technology that is protected by U.S. patents and other intellectual property rights. Use of this copyright protection technology must be authorized by Macrovision, and is intended for home and other limited viewing uses only unless otherwise authorized by Macrovision. Reverse engineering or disassembly is prohibited.

## Trademarks

Scientific Atlanta is a registered trademark of Scientific-Atlanta, Inc.

IPN330HD is a trademark of Scientific-Atlanta, Inc.

Cisco, Cisco Systems, and the Cisco Systems logo are registered trademarks of Cisco Systems, Inc. and/or its affiliates in the U.S. and certain other countries.

Manufactured under license from Dolby Laboratories. "Dolby" and the double-D symbol are registered trademarks of Dolby Laboratories.

HDMI, the HDMI logo, and High-Definition Multimedia Interface are trademarks or registered trademarks of HDMI Licensing LLC.

Macrovision is a registered trademark of Macrovision Corp.

*All other trademarks shown are trademarks of their respective owners.*

## Disclaimer

Scientific-Atlanta, Inc. assumes no responsibility for errors or omissions that may appear in this guide. Scientific-Atlanta, Inc. reserves the right to change this guide at any time without notice.



**Scientific Atlanta, A Cisco Company**  
5030 Sugarloaf Parkway  
Box 465447  
Lawrenceville, GA 30042

770.236.5000  
[www.scientificatlanta.com](http://www.scientificatlanta.com)

This document includes various trademarks of Scientific-Atlanta, Inc. Please see the Trademarks section of this document for a list of the Scientific-Atlanta, Inc., trademarks used in this document. All other trademarks shown are trademarks of their respective owners.

Product and service availability is subject to change without notice.

© 2007 Scientific-Atlanta, Inc. All rights reserved.

April 2007

Printed in United States of America

4013800 Rev C